



## Specifications NciWall System Model: 140"

### nciWall

Number of projector	1
Size (maximum interactive projected image)	118.1" W x 73.8" H (300 cm x 187.5cm) 140" (355cm) diagonal 16 : 10 aspect ratio
Number of simultaneous users	Up to 4
Number of simultaneous touch	Unlimited
Reactivity	Up to 8.33 ms
OS compatibility	Microsoft Windows 7 and 8
Software compatibility	All Windows compatible softwares
Computer requirements	The computer is provided by us with the hardware and software required for its functioning.

## Supplied projector

The provided projector may be different depending on the market price and its availability. The following specifications are for the more often installed beamer model.

### OPTICAL

---

Display Technology	0.65" DLP by Texas Instrument with BrilliantColor
Resolution Native	720p WXGA
Light Output (lumens)	3100 normal / Eco = approx. 87% of normal mode
Contrast Ratio (up to)	2000:1
Throw Ratio	0.30:1
Projection Distance	0.48 to 1 ft. / 0.15 to 0.31 m
Projection Angle	55.3°
Keystone Correction	+/- 15°

### SIGNAL COMPATIBILITY/CONNECTIVITY

---

Scan Rate	Horizontal 15 - 91.1 kHz / Vertical 50 - 120 Hz
Supported Video Standards	NTSC, NTSC4.43, PAL, PAL-M, PAL-N, PAL 60, SECAM
SD/HD Video Signal Compatibility	480i, 480p, 576i, 576p, 720p, 1080i, 1080p
PC Signal Compatibility	VGA, SVGA, XGA, WXGA, WXGA+, SXGA, SXGA+, UXGA
Audio	10W speaker
Sync Compatibility	Separate Sync / Composite Sync / Sync on G

### ELECTRICAL

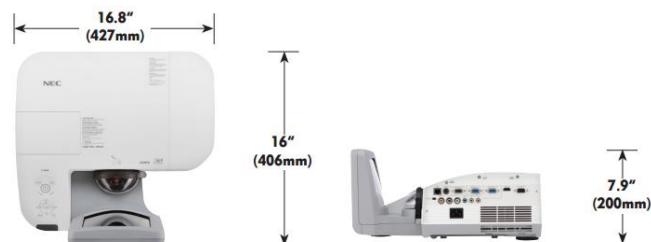
---

Power Requirements	100 - 240V AC, 50/60 Hz
Input Current	3.5A / 1.5A
Power Consumption (Normal Mode/ECO Mode/Standby/Standby [Power Saving])	360W / 315W / 3W / <0.5W

### MECHANICAL

---

#### Size



#### Weight

14.3 lbs. / 6.5 kg

#### Fan Noise

36 dB normal / 32 dB eco

Regulations

USA UL 60950-1 FCC Class B, Canada CSA  
60950-1 (C-UL)

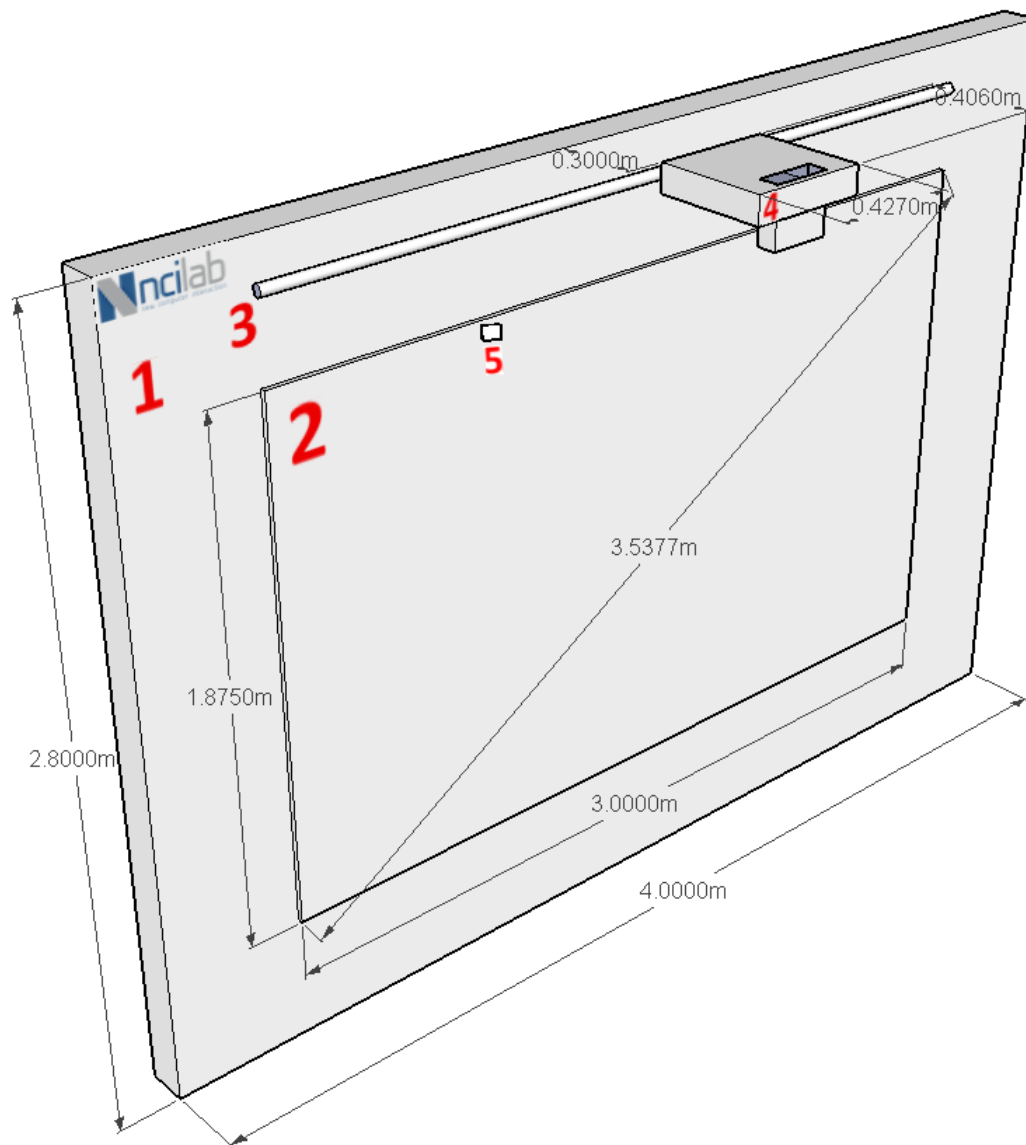
## ENVIRONMENTAL

---

Humidity  
Storage

20-80% non-condensing  
-4° - 122°F / -20° - 50°C

## 3D Dimensioned sketch and caption



1. Your own surface (Wall i.e)
2. Projected image (by. 4)
3. Ncilab helm
4. Video projector
5. Cameras (fixed on roof or standalone solution with the video projector)